

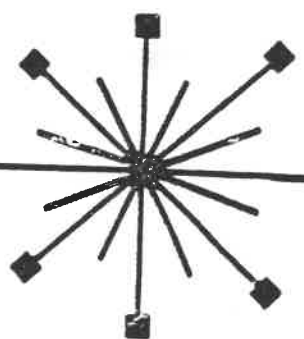
Dixie-Narco[®] INC.



P.O. Box 460 - Lawrence Street
Ranson, West Virginia 25438

(304) 725-3481
(800) 624-0553

PARTS LIST



BROWN DISPLAY

80

The beginning serial number for Brown Display models is....2636GH.

The letters at the end of the serial numbers indicate the quarter and year in which the vender was manufactured.

The date system started in 1976

Thus,

For a given year the first letter is the quarter, i.e.,

A = First Quarter

B = Second Quarter

C = Third Quarter

D = Fourth Quarter

The second letter is the year, i.e.,

A = Year, 1976

B = Year, 1977

C = Year, 1978

D = Year, 1979

E = Year, 1980

F = Year, 1981

G = Year, 1982

H = Year, 1983

I = Year, 1984

J = Year, 1985

K = Year, 1986

L = Year, 1987

M = Year, 1988

N = Year, 1989

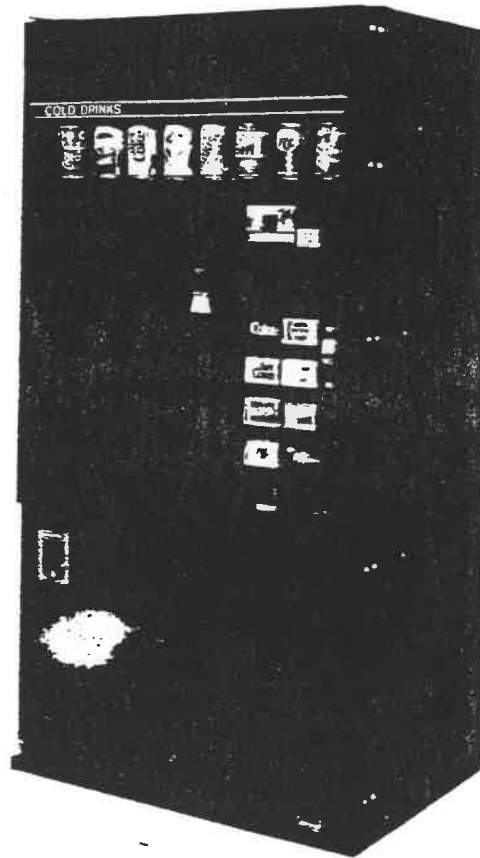
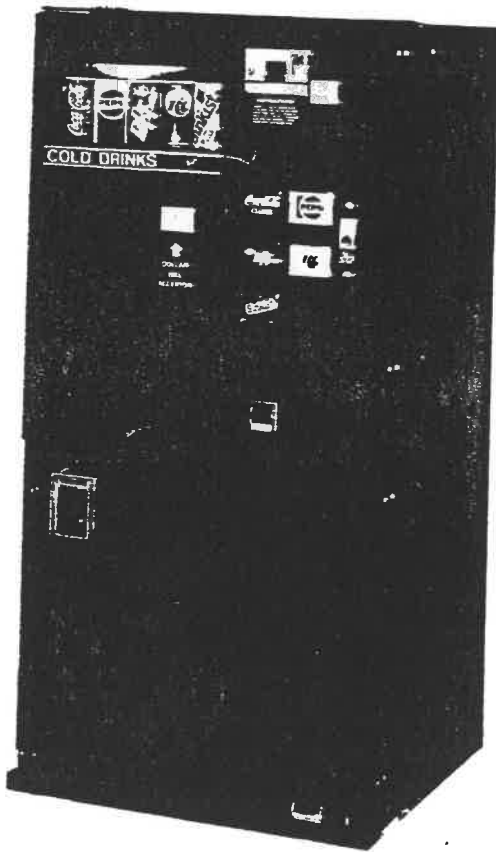
O = Year, 1990

PARTS LIST
CONTENTS

MAIN DOOR ASSEMBLY.....2
 MAIN DOOR ASSEMBLY PARTS.....4
 CONTROL PANEL ASSEMBLY.....6
 DISCHARGE ASSEMBLY.....8
 ACCESS DOOR.....10
 PULL OUT HANDLE AND COIN INSERT ASSEMBLY.....12

This Brown Display parts list should be used in conjunction with the major parts list dated August 6, 1986 or December 1, 1987.

This parts list will be incorporated in the major part list at a later date.



DNCB 180/105-5
 Height: 56-11/16
 Width: 28-5/16
 Depth: 26
 Shipping Wt. 462 lbs.
 Capacity:
 Can 180
 Bottle, Reg. 105
 10 oz. PLB

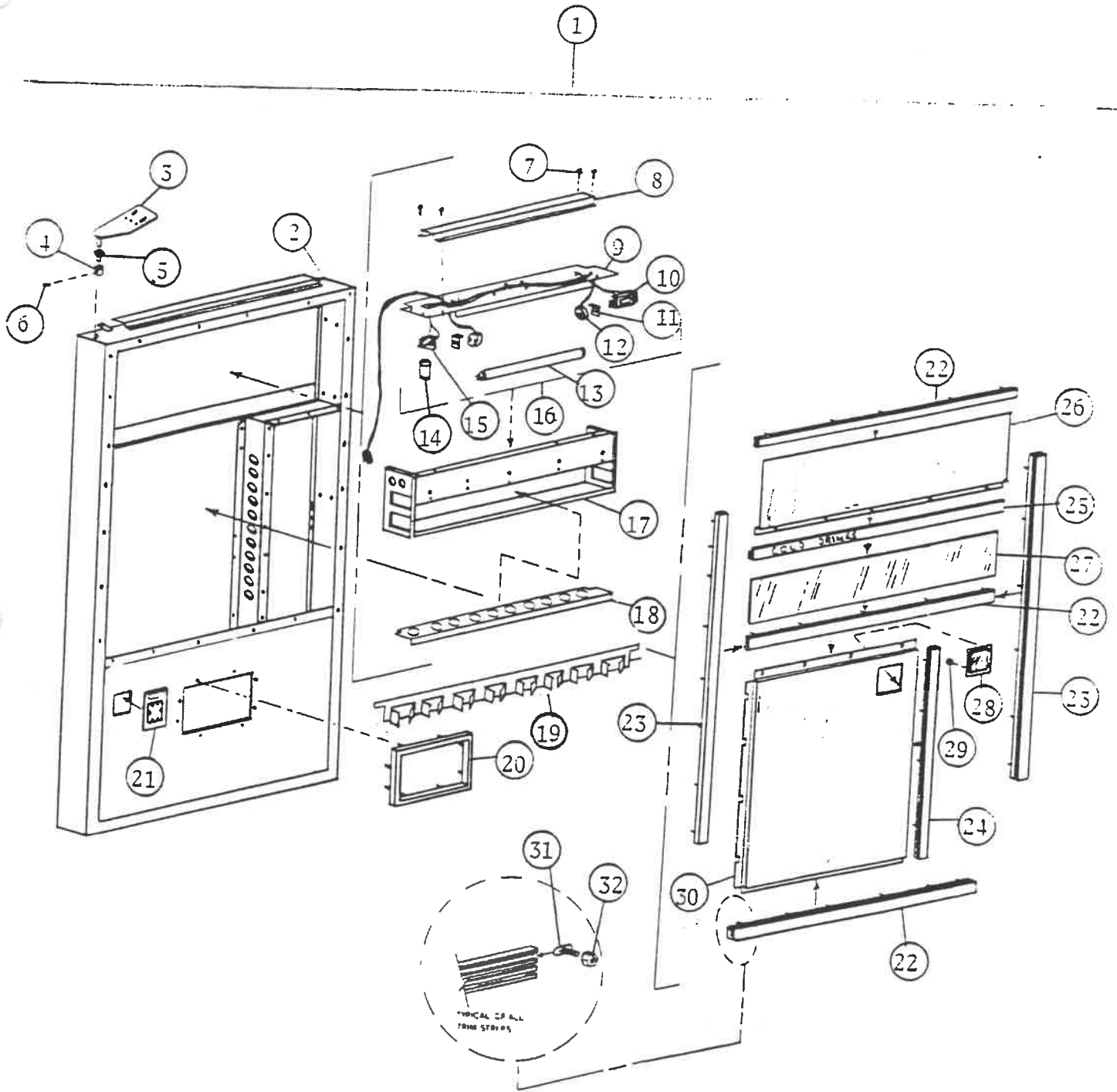
DNCB 368/216-7-8
 Height: 72
 Width: 37-1/16
 Depth: 26
 Shipping Wt. 690 lbs.
 Capacity:
 Can, 12 oz. 368
 Bottle, Reg. 216
 10 oz. PLB 352

DNCB 440/252-7-8
 Height: 79 1/2
 Width: 37-1/16
 Depth: 26
 Shipping Wt. 748 lbs.
 Capacity:
 Can, 12 oz. 440
 Bottle, Reg. 252
 10 oz. PLB 322

DNCB 501T/280-7-8
 Height: 72
 Width: 37-1/16
 Depth: 29-1/2
 Shipping Wt.: 695 lbs.
 Capacity:
 Can, 12 oz. 501
 Bottle, 16 oz. PLB 280

DNCB 600T/340-7-8
 Height: 79-1/2
 Width: 37-1/16
 Depth: 29-1/2
 Shipping Wt.: 800 lbs.
 Capacity:
 Can, 12 oz. 600
 Bottle, 16 oz. PLB 340

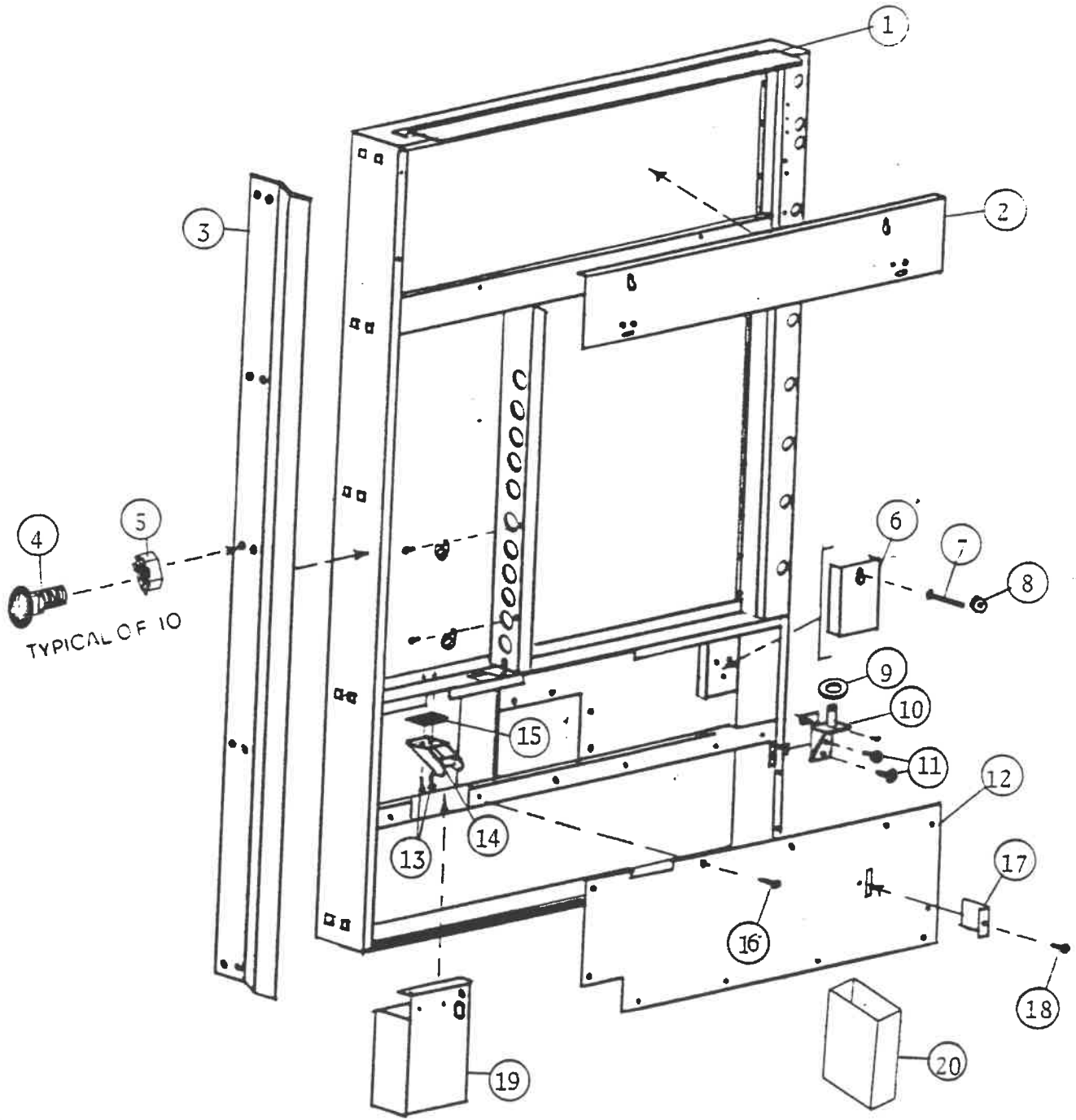
MAIN DOOR ASSEMBLY
BROWN DISPLAY VENDERS



Item No.	Part Number	Part Name and Description
1	Indicate Model# & Serial#	Main Door Assembly
2	Indicate Model# & Serial#	Main Door Weld Assembly
3	B801,501,710.41	Top Hinge
4	A800,502,030.01	Collar
5	801,803,150.01	Bearing
6	A900,201,260.01	Lock Screw
7	900,501,740.01	S/M Screw #6 x 1/4
8A	B353,050,080.13	Wire Cover - 37" Wide Venders
8B	B440,050,070.03	Wire Cover - 28" Wide Venders
9A	C353,050,090.53	Lamp Panel - 37" Wide Venders
9B	C440,050,050.03	Lamp Panel - 28" Wide Venders
10	804,400,100.01	Ballast
11	A257,050,320.53	Lamp Holder Bracket
12	904,901,230.01	Lamp Holder
13B	804,700,050.01	Bulb - 37" Wide Venders
13B	804,700,350.01	Bulb - 180 Only
14	904,800,410.01	Starter
15	904,900,710.01	Starter Socket
16A	553,050,300.03	Lamp Panel Assembly - 37" Wide Venders
16B	440,050,100.03	Lamp Panel Assembly - 28" Wide Venders
17A	C353,050,100.03	Display Enclosure - 37" Wide Venders
17B	B440,050,300.03	Display Enclosure - 28" Wide Venders
18A	C357,050,020.03	Display Retainer - 10 Select Venders
18B	C553,050,030.13	Display Retainer - 8 Select Venders
18C	B440,050,030.03	Display Retainer - 5 Select Venders
19	553,050,400.03	Assembly Package Retainer-8 (2988 & Higher)
20	801,602,510.11	Trim, Delivery Port
21	B801,303,590.01	Opener Bezel
22A	801,804,530.01 (33 5/8")	Trim, Horizontal - 37" Wide Venders (3 per)
22B	801,804,530.01 (24 7/8")	Trim, Horizontal - 28" Wide Venders (3 per)
23A	801,804,530.01 (53 3/4")	Trim, Vertical - 79" High Venders (2 per)
23B	801,804,530.01 (46 1/4")	Trim, Vertical - 72" High Venders (2 per)
23C	801,804,530.01 (30 15/16")	Trim, Vertical - 56" High Venders (2 per)
24	801,804,530.01 (28 23/32")	Trim, Control Panel (1 per vender)
25A	801,602,850.01 (33 5/8")	Trim - 37" Wide Venders
25B	801,602,850.01 (24 7/8")	Trim - 28" Wide Venders
26A	B553,050,090.13	Top Filler Panel-37" Wide Venders (under 2988)
26B	B353,050,090.23	Top Filler Panel-37" Wide Venders (2988 & Higher)
27A	805,005,220.01	Clear Sign 6 1/4"-37" Wide Venders (under 2988)
27B	805,006,880.01	Clear Sign 7 1/4"-37" Wide Venders (2988 & Higher)
27C	805,006,540.01	Clear Sign - 28" Wide Venders
28	B360,050,720.53	Validator Filler
29	900,800,500.01	Nut
30A	553,030,200.03	S/A Bottom Filler - 37" Wide Venders
30B	C440,050,040.03	S/A Bottom Filler - 28" Wide Venders
31	900,400,350.51	T-Bolt - 3/4"
32	900,800,500.01	Nut

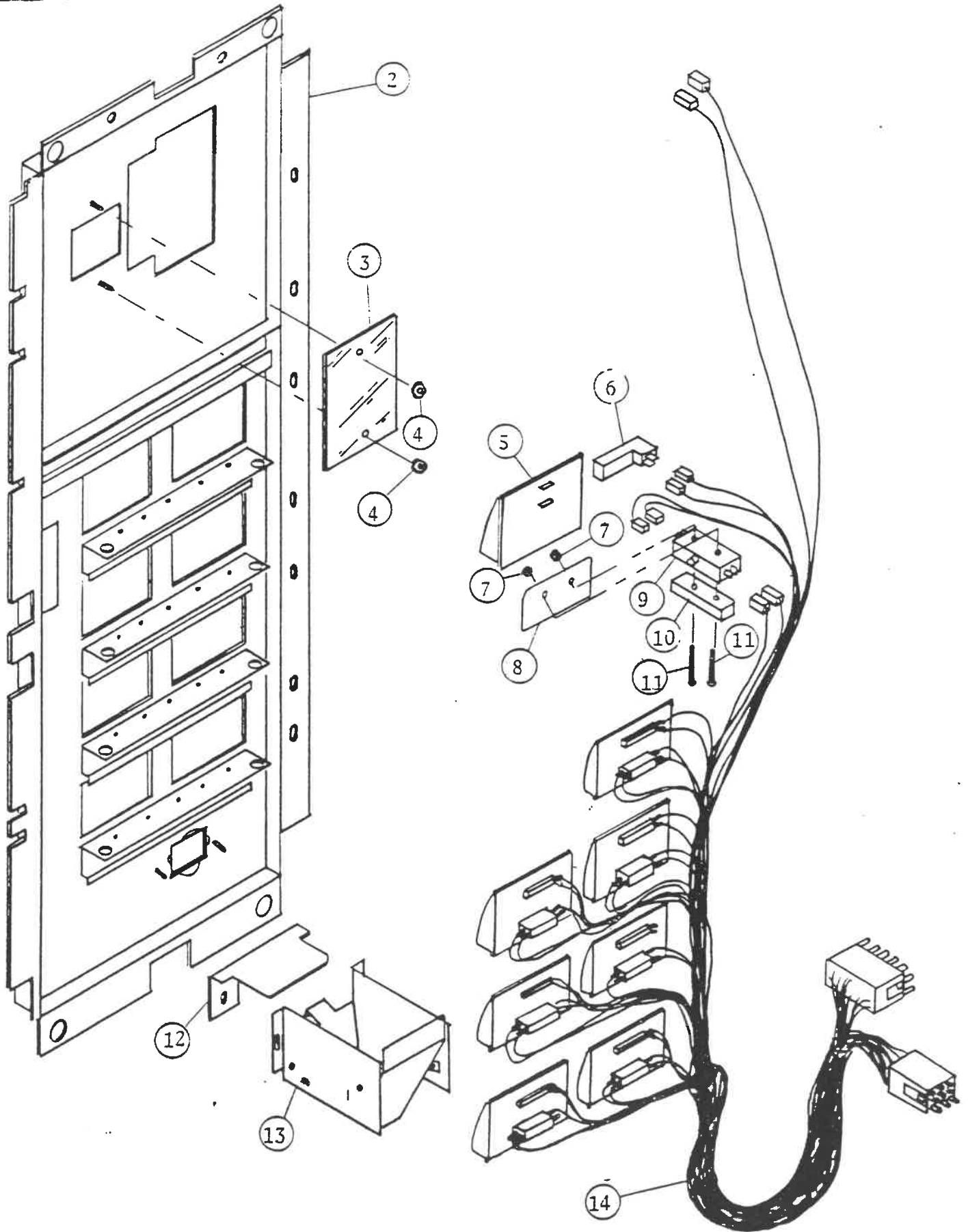
WHEN ORDERING PARTS INDICATE MODEL # AND SERIAL # OF VENDERS.
 ALL PRICES ARE SUBJECT TO CHANGE WITHOUT NOTICE

MAIN DOOR ASSEMBLY PARTS
BROWN DISPLAY VENDERS

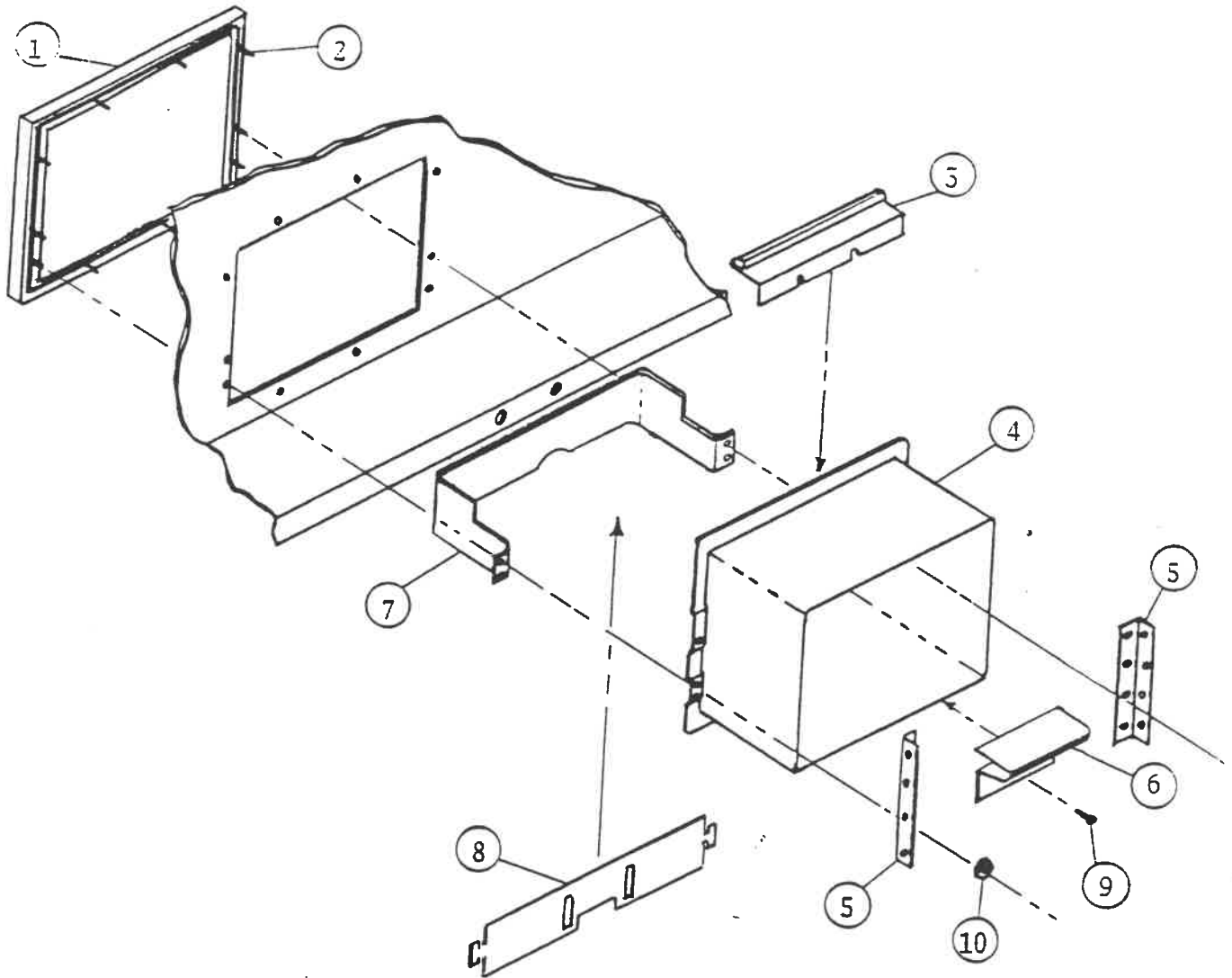


CONTROL PANEL ASSEMBLY
BROWN DISPLAY VENDERS

1



DISCHARGE ASSEMBLY
BROWN DISPLAY VENDERS

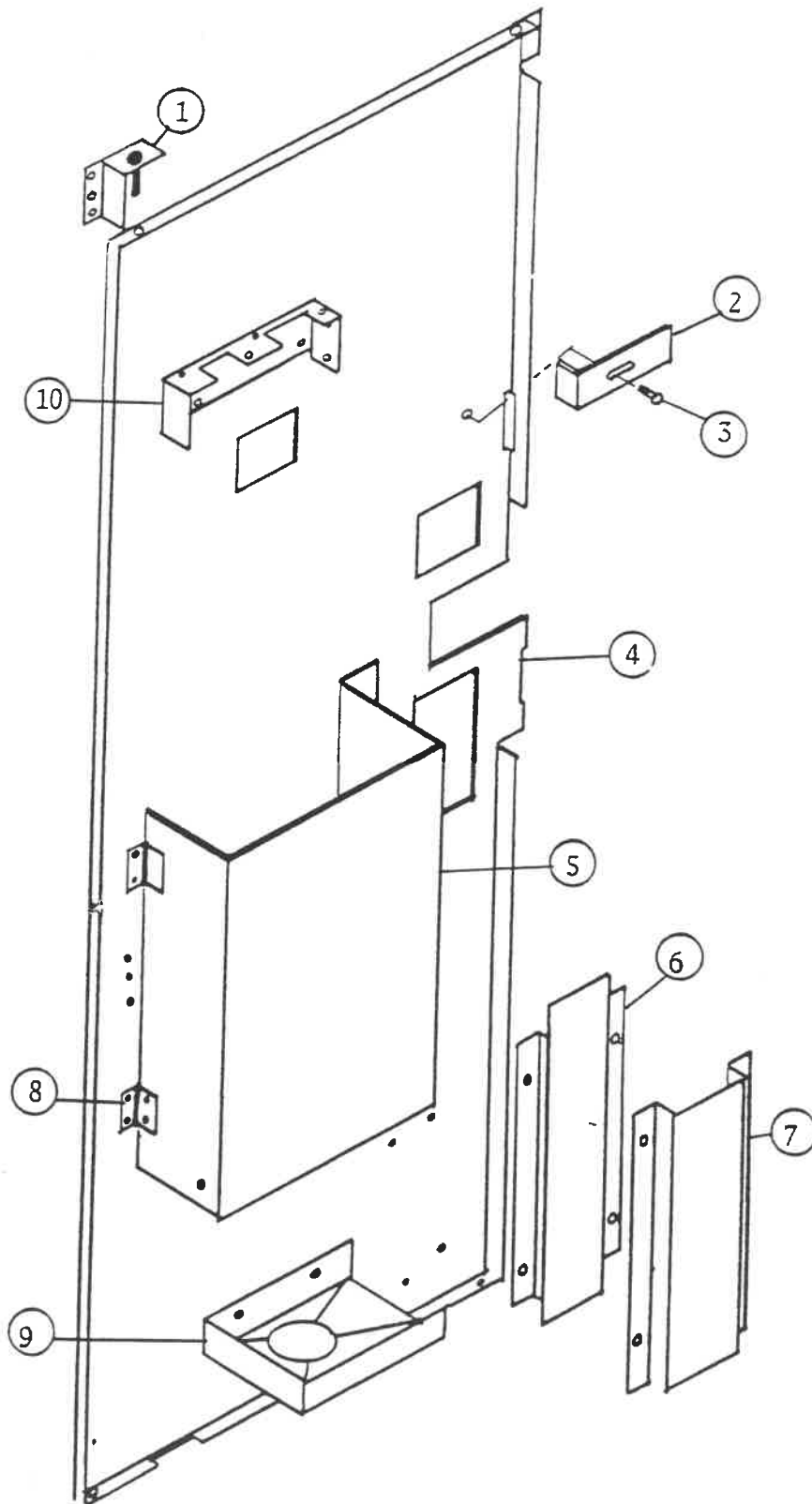


Delivery Box

801 806 810.01

450.11

ACCESS DOOR
BROWN DISPLAY VENDERS



PULL OUT HANDLE AND COIN INSERT ASSEMBLY
BROWN DISPLAY VENDERS

